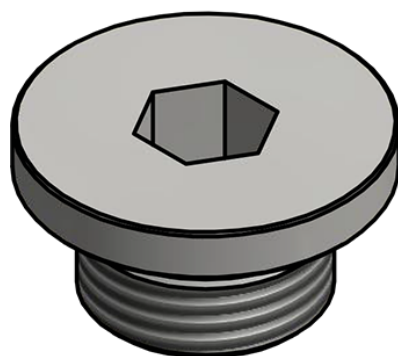
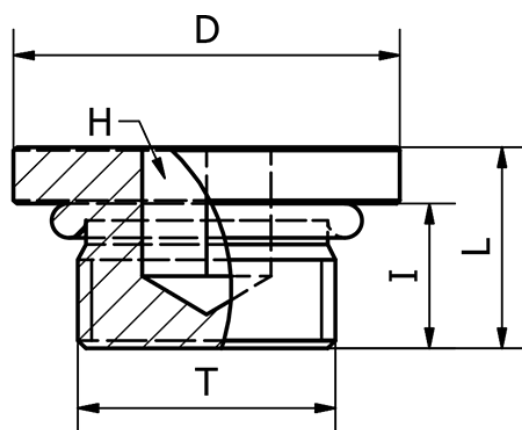


Article number: 5891149TR12

Description: Plug 1149TR
G1/2"

Measures



d = 26.0

H = 10

L = 14.0

T = G1/2"